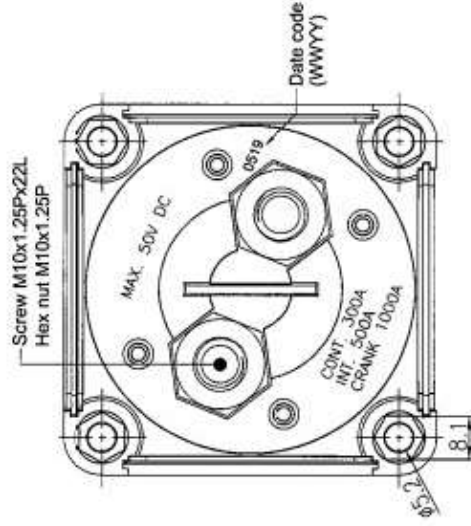
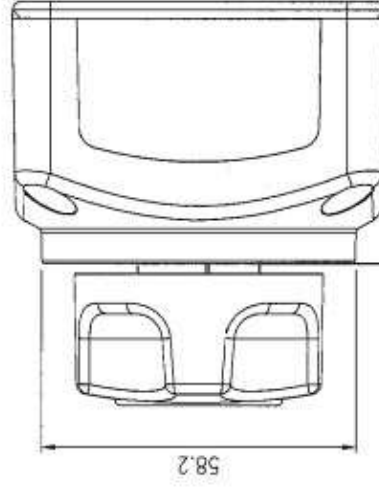
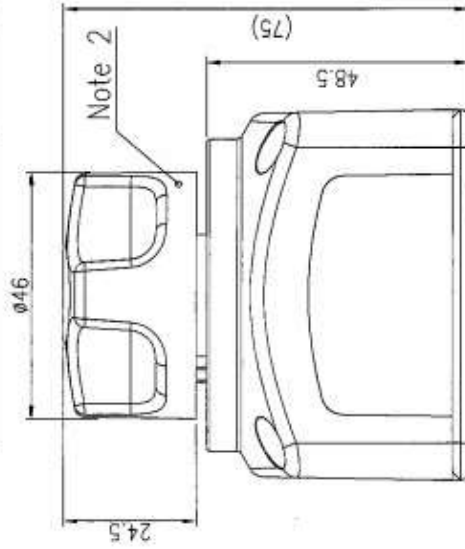
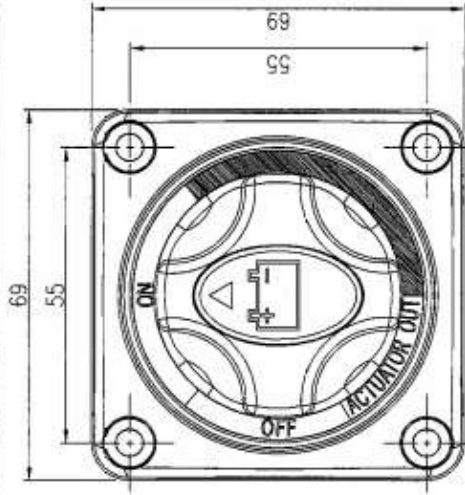


Continuous Rating	Mounting Hole		Actions Diagram	Circuit Diagram
	A	B		
300 Amps 50VDC Max.				
500 Amps				
Cranking Rating	1000 Amps 30 sec.			Actuator out
Contact Resistance	50m ohm Max.			OFF
Insulation Resistance	DC 1000V 100M ohm Min.			ON
Dielectric Strength	DC 2000V 1 minute			
Operation Temperature	AC 1000V 1 minute			
Switch Function	-20°C~80°C			
Actuation Force	ON/OFF/OUT			
	9±3 Kgf-cm			



Ingress Protection : IPX8  
(1.8M/30minutes)  
Only for operating surface

Material :  
Actuator : PC/ABS  
Housing Cover : PBT(UL flame:94V-0)  
Contact, Screw : copper alloy  
Nut : nickel plated brass  
Washer : SUS316

- Note:
1. Tolerance is  $\pm 0.5\text{mm}(0.02")$  unless other notice
  2. Actuator could be taken out at Actuator Out position
  3. Side plates : 3PCS
  4. Actuator Out to OFF position : Push and turn  
For EO021 only

